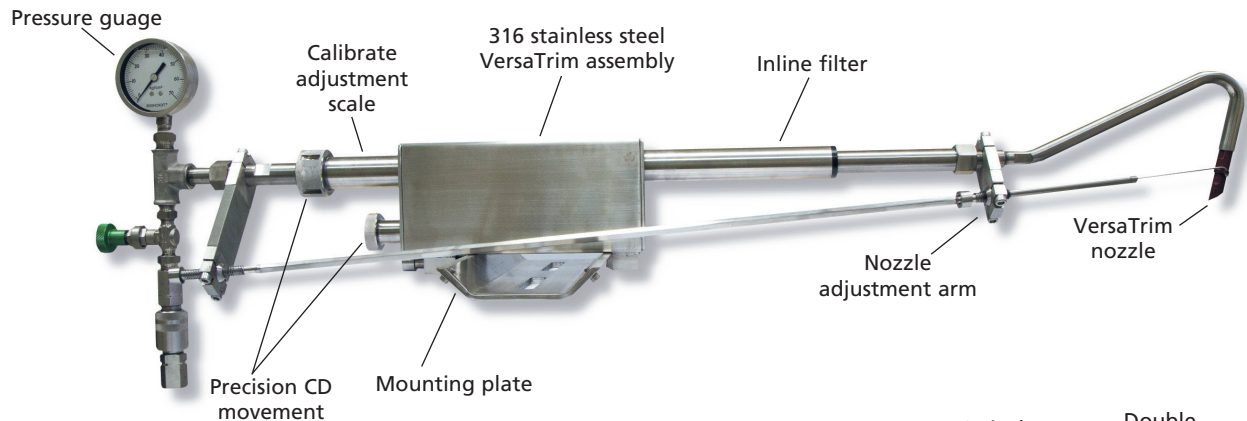


VersaTrim™ System

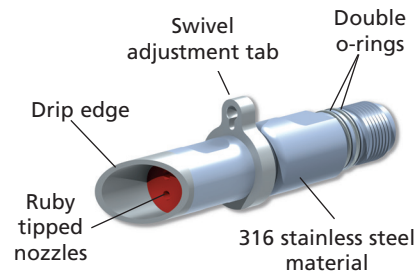


Clean and precise sheet trimming is essential to operate a high-efficiency paper machine. The VersaTrim System provides an accurate and adjustable trim squirt system for the wet-end of the paper machine.



Trim Squirt Nozzles

Tips can be provided in ruby, sapphire, duracerm, or stainless steel.



Features



- Easy to adjust MD nozzle angle
- Precise CD adjustment
- Quick, safe replacement
- Minimizes contaminant build-up and spray back

Benefits



- Fewer wet-end breaks due to drop-offs
- Improved sheet edge
- Reduced fiber mist equals less wash-ups
- More consistent turn-ups at the reel

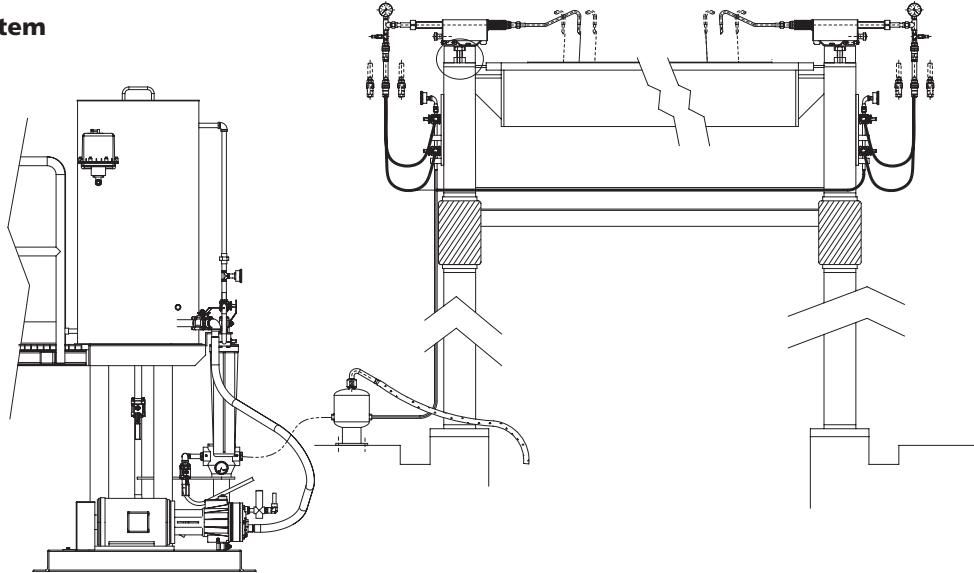
Trim Nozzle Operating Recommendations

Basis Weight				(PSI/BARS)												
#/1000	#/3000	#/3300	g/M2	305	457	610	762	914	1067	1219	1372	1524	1676	1829	1981	M/minute
				1000	1500	2000	2500	3000	3500	4000	4500	5000	5500	6000	6500	FPM
10.0	30	33	48.8	132/9.1	198/13.6	148/10.2	185/12.7	222/15.3	259/17.8	296/20.4	333/22.9	370/25.5	407/28.0	444/30.6	514/35.4	
13.3	40	44	65.1	135/9.3	222/15.3	165/11.4	207/14.2	248/17.1	289/19.9	331/22.8	372/25.7	414/28.5	455/31.4	468/32.3	507/35.0	
16.7	50	55	81.4	147/10.1	242/16.7	180/12.4	225/15.5	271/18.6	316/21.8	361/24.9	406/28.0	451/31.1	468/32.3	511/35.2	553/38.1	
20.0	60	66	97.6	146/10.1	237/16.3	194/13.3	242/16.7	291/20.0	339/23.4	388/26.7	436/30.1	485/33.4	503/34.6	548/37.8		
23.3	70	77	113.9	155/10.7	252/17.4	206/14.2	257/17.7	309/21.3	360/24.8	412/28.4	463/31.9	485/33.4	534/36.8	582/40.1		
26.7	80	88	130.2	153/10.5	123/8.48	194/13.3	242/16.7	291/20.0	339/23.4	388/26.7	436/30.1					
30.0	90	99	146.4	160/11.0	128/8.88	203/14.0	254/17.5	304/21.0	355/24.5	406/28.0	457/31.5					
33.3	100	110	162.7	167/11.5	134/9.25	211/14.6	264/18.2	317/21.9	370/25.5	423/29.2	476/32.8					
36.7	110	121	179.0	163/11.2	130/8.98	200/13.8	250/17.2	301/20.7	351/24.2							
40.0	120	132	195.2	169/11.6	134/9.29	207/14.3	259/17.8	311/21.4	363/25.0							
43.3	130	143	211.5	174/12.0	139/9.59	214/14.7	267/18.4	321/22.1	374/25.8							

Trim Nozzle Orifice	
mm	Inch
0.35	0.014
0.4	0.016
0.45	0.018
0.5	0.020
0.6	0.024
0.7	0.028
0.8	0.031
0.9	0.035

Single Orifice Dual Orifice →

Complete System



Trim Squirt Systems Pump Skid



- 600 psi capability
- Temperature controlled water delivery
- Self-contained
- Low-energy usage
- 10 micron duo water filtration
- Redundant spare pump
- Precision pressure control