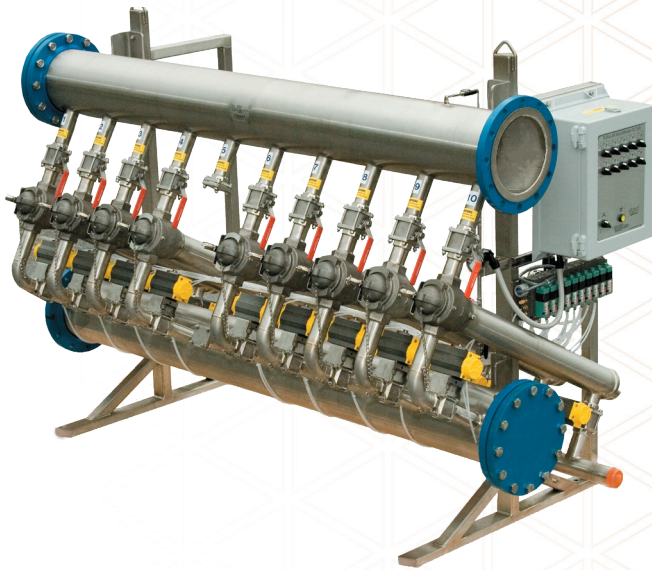


# ErGo™ Filtration System



## Easy Filter Element Removal

Barrel access is just 42" (108 cm) from the ground, allowing easy and safe screen removal without a service step. Screen removal at a 30° angle is easier and safer compared with the 90° barrel design requiring a straight up lifting motion.

## Low Head Room Installation

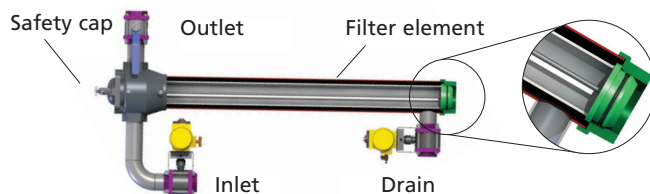
The angled design eliminates the need for access room above the filter system, and the unit can be installed with virtually no room between the filter and ceiling.

## Superior "Bottomless" Barrel Design

The filter element basket assembly functions as both the element and barrel housing bottom (see diagram). Design advantages include easy barrel clean-out and bottom assisted element removal should the housing become filled with contaminants due to a catastrophic process upset.

## Ultimate Safety and Rapid Screen Access

Like the barrel filter design sold by Kadant for over 30 years, the ¼ turn safety cap allows filter media access in seconds, while assuring pressure has been properly vented from the housing before opening.



## Overview



### Features

- 30° angled filter barrel mounting
- Bottomless filter barrel design
- Backwash uses filtered process water
- Reusable, cleanable, filter media
- ¼ turn safety cap with pressure relief



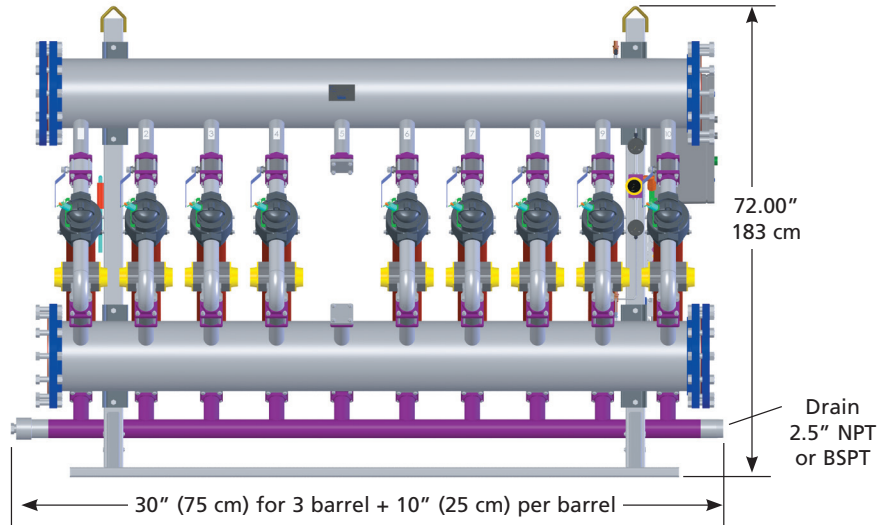
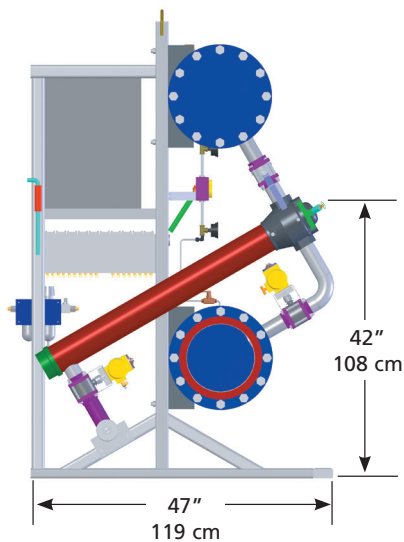
### Benefits

- Ergonomic design improves element removal safety
- Installation in low clearance areas
- Bottomless filter barrel allows easy clean-out
- Bottom "push-out" screen removal eases maintenance
- Pressure relief cap assures operator safety



### Applications

- Removes contaminants from a variety of applications including paper machine white water and fresh water



### Filter Media

Particle Retention		Approximate Mesh Equivalent	Wedge Wire	Wire Mesh	Diffusion Bonded	Synthetic	Perforated Backup Only
Microns	Inches						
2	0.0001				○		
5	0.0002				○	○	
10	0.0004				○	○	
15	0.0006					○	
20	0.0008				○		
25	0.0010		X			○	
32	0.0013	700			○		
36	0.0014	400				○	
44	0.0017	325		X	○		
50	0.0020		X			○	
60	0.0024	250		X	○		
75	0.0030	200	X	X	○	○	
100	0.0039	150	○	X		○	
104	0.0041				○		
140	0.0055				○		
150	0.0059	100	X	X		○	
180	0.0071	80	○				
250	0.0098	60	X	X		○	
355	0.0140	45	X				
425	0.0167	40		X			
500	0.0197	35	○				
600	0.0236	30	○				
787	0.0310		○				
841	0.0331	20		X			
1600	0.0630	12	○				○
4750	0.1870	4					X

X - normally stocked elements    ○ - consult factory for availability

Product Specification	
Maximum Flow Rate: 110 gpm per barrel	Materials: Barrels 316L, carbon steel frame
Design Pressure: 285 psig (20 bar)	Valves: 2", 2-way 3 piece high-cycle ball
Number Barrels: Unlimited, 2-12 per bolt together module	Cap: 1/4 turn safety cap
Backwash Water Usage: 8.3 gallons per barrel minimum	Seals: EPDM, Buna-n, Viton, Teflon™
Backwash Initiation: Automatic or manual	Elements: 3.25" X 40" (83.6 mm x 1016 mm)
Inlet/Outlet Headers: 4", 6", 8", 10" (DN100, DN150, DN200, DN250)	Utilities: 1ph/60hz/120v power, 2 CFM air at 80 psig (6 bar)